

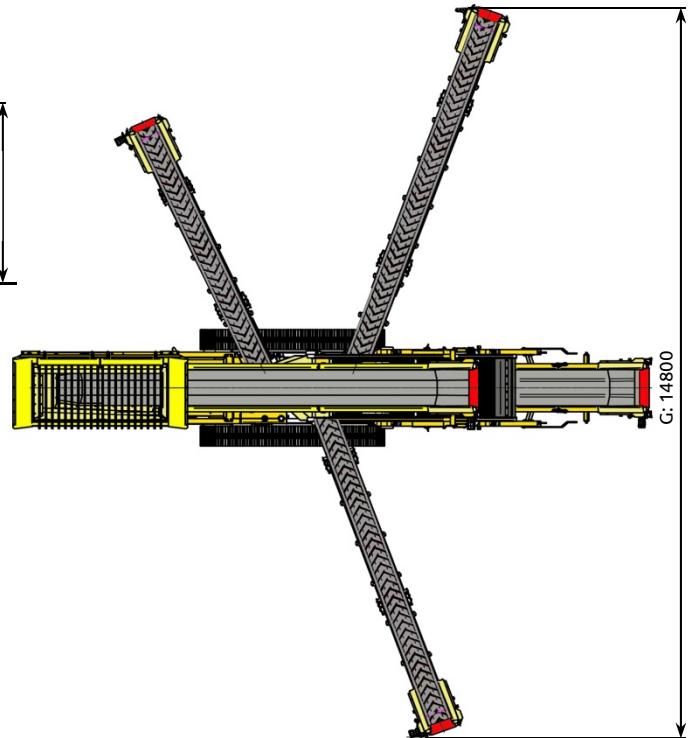
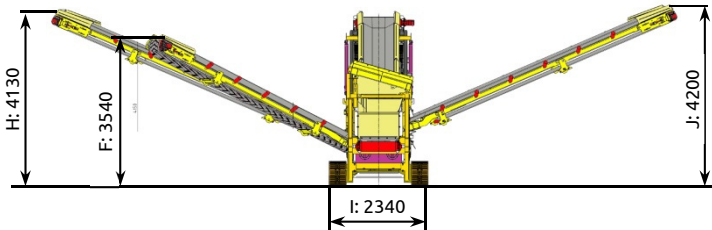
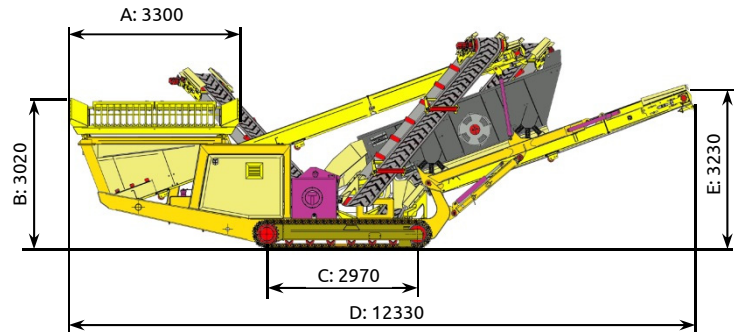


CLASSIFIER



DIMENSIONS

OPERATION:



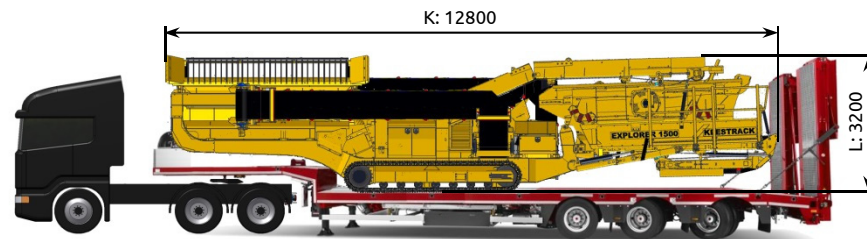
CLASSIFIERS

Weight: approx. 15 t (without options)

Weight options:
Wear lining hopper + approx. 230 kg

Transport width 3.200 mm (10'6")

TRANSPORT:



REMARK: All pictures might show options, not included in the scope of supply

A	B	C	D	E	F	G	H	I	J	K	L
3300	3020	2970	12330	3230	3540	14800	4130	2340	4200	12800	3200
10'10"	9'11"	9'9"	40'5"	10'7"	11'7"	48'7"	13'7"	7'8"	13'9"	41'12"	10'6"