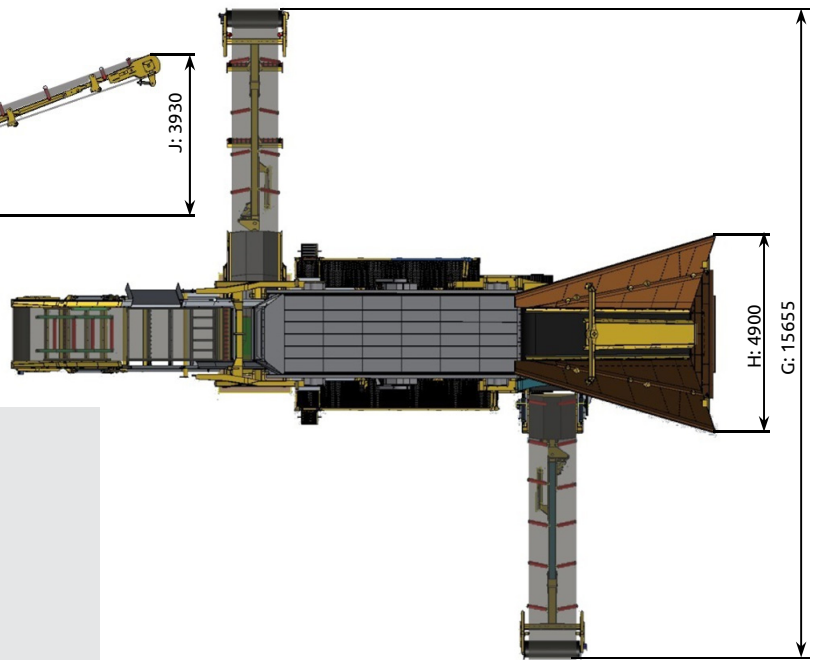
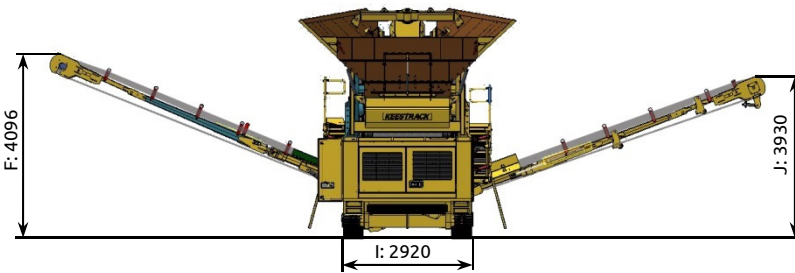
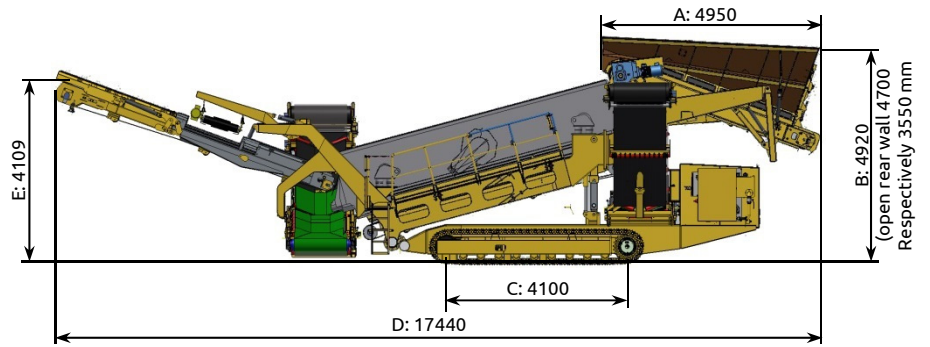


CLASSIFIER



DIMENSIONS

OPERATION:



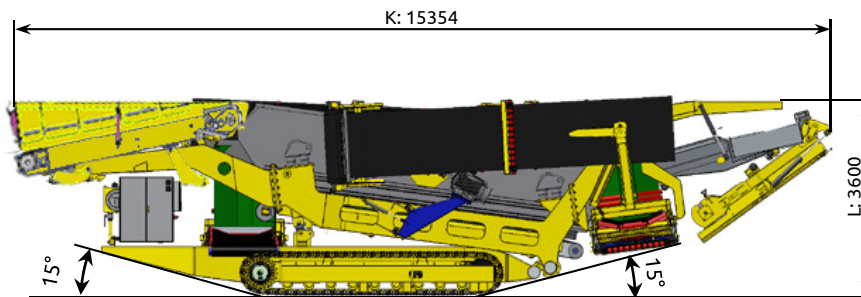
Weight: approx. 43,5 t (without options)

Weight options:
 Magnetic separator MCL +approx. 1.600 kg
 Walkway right side + approx. 280 kg

Total weight with options approx. 45,4 t

Transport width 3.200 mm (8'10")

TRANSPORT:



REMARK: All pictures might show options, not included in the scope of supply

A	B	C	D	E	F	G	H	I	J	K	L
4950	4920	4100	17440	4109	4096	15655	4900	2920	3930	15354	3600
16'3"	16'2"	13'5"	57'3"	13'6"	13'5"	51'4"	16'1"	9'7"	12'11"	50'4"	11'10"